

CASH COUNTER

LOBBY

CUSTOMER DECK
2000

To (1st Floor)

Motor Claims

SHAF
STRONG ROOM

TOILET

TOILET

D1
TO
BASEMENT

LIFT

TOILET

TOILET

TOILET

TOILET

SHAF

BRANCH MANAGER

1 2 3 4 5 6 7

8 9 10 11 12 13 14

15 16 17 18 19 20 21

22 23 24 25 26 27

28 29 30 31 32 33

34 35 36 37 38 39 40

41 42 43 44 45 46 47

48 49 50 51 52 53 54

1450x4501

2400

910

1450

4150

4150

1075

2000

2150

1450

D2

D2

D2

D2

D2

D2

D2

D1

D2

D2

D2

D2

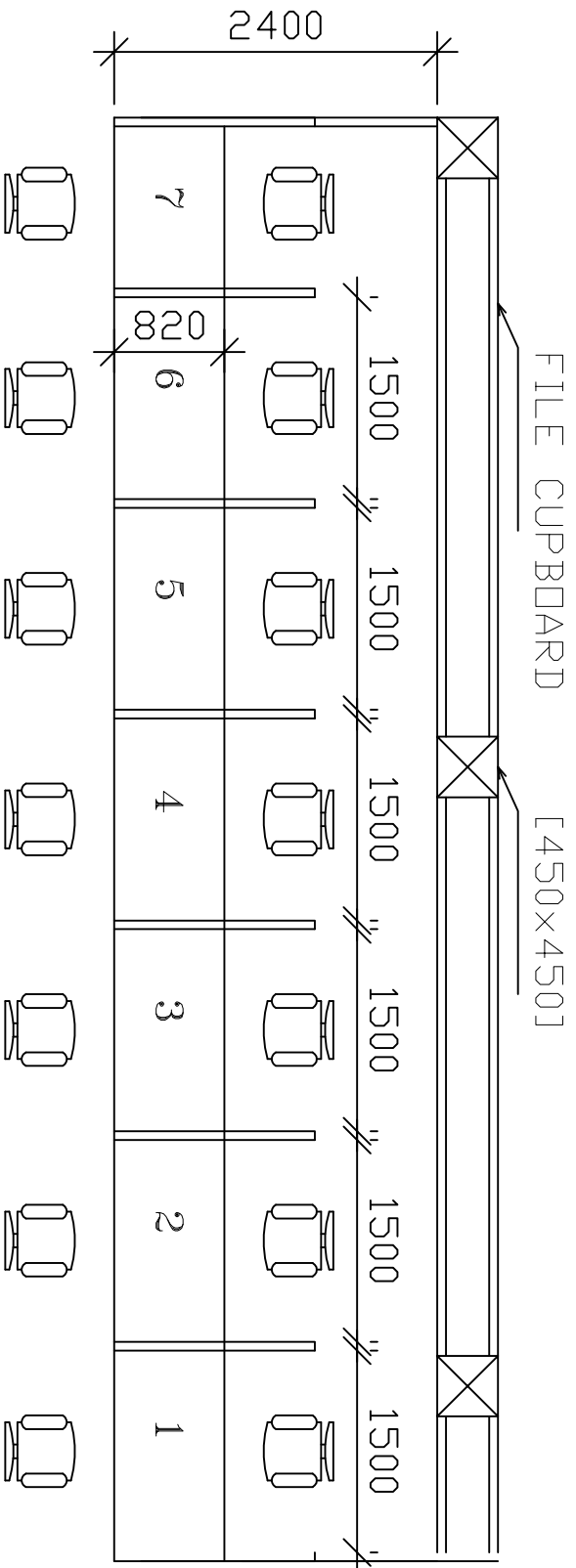
D2

D2

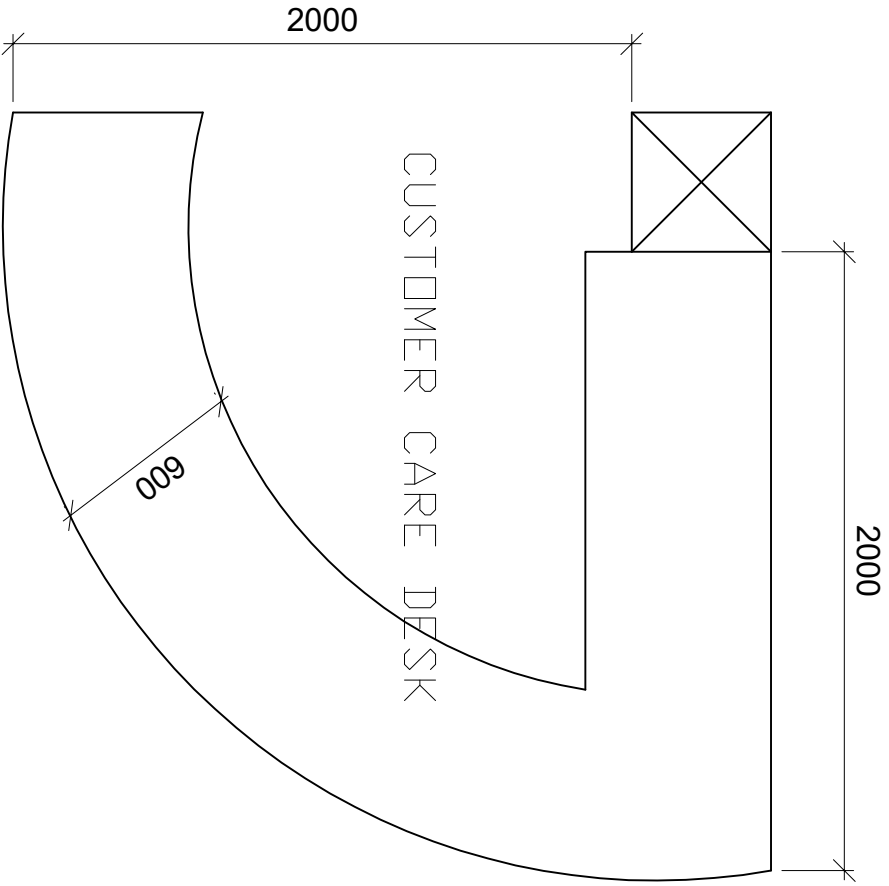
D

UP

TO (1st Floor)



WORKSTATION



FILE STORAGE CUPBOARD

